

Series 2L D18

Linear Power Shaker



VGS Configuration Optional

High "G" force, high volume

Introducing the 2L D18, FSI's latest advance in high "G" force linear motion shakers. FSI has designed this unit to achieve optimum performance. Even in the most challenging applications, the 2L D18 achieves consistently high throughput. Processing rates vary with slurry content, percent solids and viscosity.

Exceptional reliability

Simplicity is the essence of every FSI design. Permanently sealed vibrators make lubrication systems totally unnecessary. Low 80-dB motor vibration eliminates the need for hearing protection. The unit's pre-tensioned screen panel can be easily installed or replaced. Replacement takes less than two minutes and requires only a light to medium-weight hammer.

Lowest maintenance cost

Simplicity pays off. FSI equipment have the lowest operational and maintenance costs in the industry. Routine maintenance is extremely minimal. Simple visual checks of screen panels, deck rubbers, inflation of air spring assemblies, and quarterly torque checks of the vibrator motor bolts are all that is required. Fluid Systems, Inc. keeps you on-line for decades of troublefree performance. It's that simple!



The FSI Difference

- **High "G" Force**
- **8.44 ft² [.78 m²] screening area**
- **Simple Design**
- **Rugged and Reliable**
- **High performance**
- **Low maintenance**
- **Quick screen panel changes**
- **Small footprint**
- **No lubrication**
- **Low noise**



www.FSIshakers.com

Houston Office

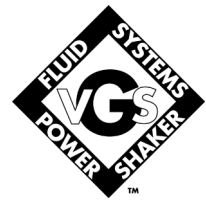
6718 Northwinds Dr.
Houston, TX 77041
832-467-9898
FAX: 832-467-9897

New Orleans Office

2808 Engineers Road
Belle Chasse, LA 70037
504-393-1804
FAX: 504-393-5166

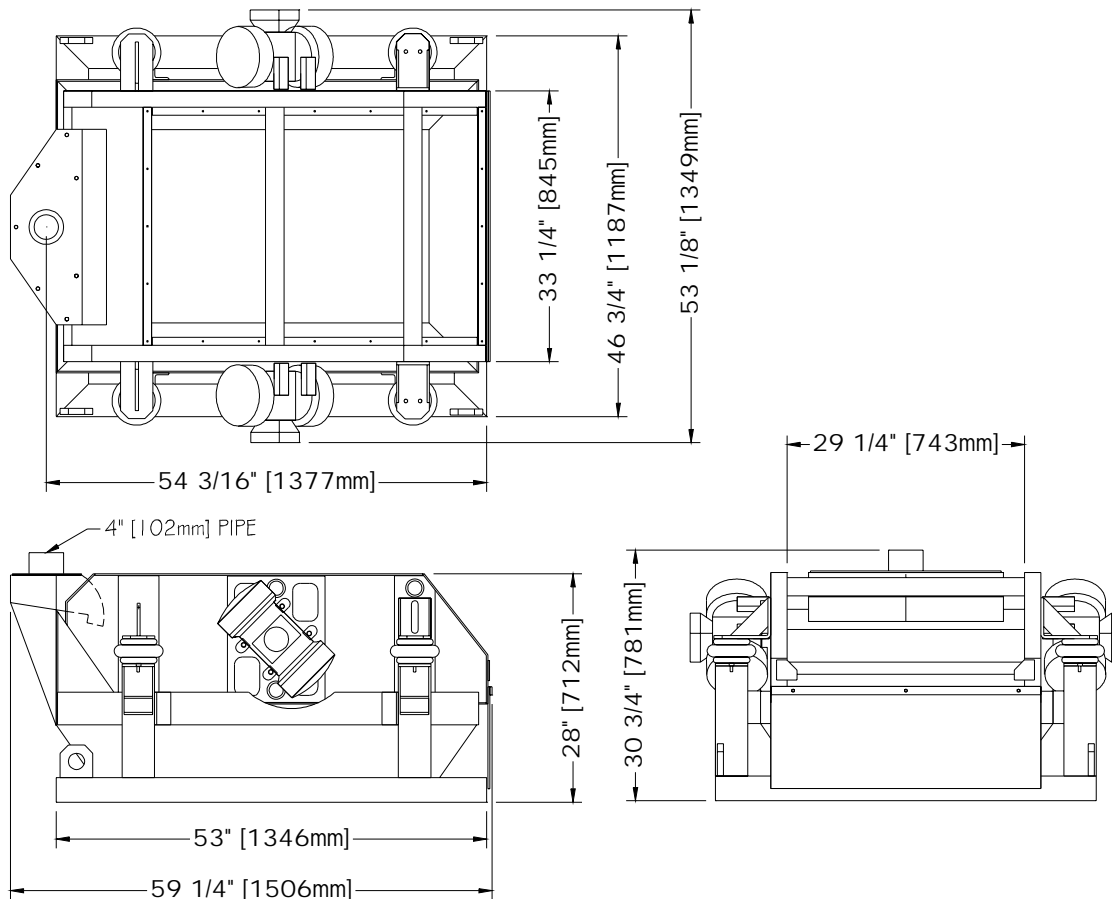
Series 2L D18

Linear *Power* Shaker



General Specifications

Series:	Series 2L
Model:	D18
Motors:	Two each 1800, 1500 or 1200 rpm exp. proof or non-exp. proof available
Bearings:	Permanently sealed and lubricated
Motion:	Linear, 0.13" A (1800), 0.156" A (1500), 0.23" A (1200), 5.0 "G"
VGS:	Force adjustable to 7.0 "G" maximum
Deck adjustment:	Adjustable 0° to 5° uphill
Screens:	One 29" x 42" pretensioned panel with <i>Wedgelok</i> fasteners
Screening area:	8.44 ft ² [0.78 m ²]
Overall dimensions:	59 1/4" L x 53 1/8" W x 30 3/4" H 1506mm x 1349mm x 781mm



Fluid Systems, Inc.

Screen Sales, Manufacturing & Engineering

6718 Northwinds Drive • Houston, TX 77041 • TEL 832-467-9898 • FAX 832-467-9897

Sales & Service

2808 Engineers Road • Belle Chasse, LA 70037 • TEL 504-393-1804 • FAX 504-393-5166

sales@fsishakers.com • engineering@fsishakers.com • screens@fsishakers.com • service@fsishakers.com