

# Series 50 B Linear Power Shaker



## VGS Configuration Optional

### High “G” force, high volume

Introducing the 50 B, FSI’s latest advance in high “G” force, high volume linear motion shakers. FSI has designed this unit to achieve optimum performance. Even in the most challenging applications, the 50 B achieves consistently high throughput. Processing rates vary with slurry content, percent solids and viscosity.

### Exceptional reliability

Simplicity is the essence of every FSI design. Permanently sealed vibrators make lubrication systems totally unnecessary. Low 80-dB motor vibration eliminates the need for hearing protection. Each of the unit’s two pre-tensioned screen panels can be installed or replaced independently of each other. Replacement takes less than three minutes and requires only a light to medium-weight hammer.

### Lowest maintenance cost

FSI equipment have the lowest operational and maintenance costs in the industry. Routine maintenance is extremely minimal. Simple visual checks of screen panels, deck rubbers, inflation of air spring assemblies and quarterly torque checks of the vibrator motor bolts are all that is required. Fluid Systems, Inc. keeps you on-line for decades of trouble-free performance. It’s that simple.



## The FSI Difference

- **High “G” Force**
- **16.9 ft<sup>2</sup> [1.57 m<sup>2</sup>] screening area**
- **Simple design**
- **Rugged and reliable**
- **High performance**
- **Low maintenance**
- **Quick screen panel changes**
- **Small footprint**
- **No lubrication**
- **Low noise**



[www.FluidSystems.com](http://www.FluidSystems.com)

### Houston Office

16619 Aldine Westfield Rd.  
Houston, TX 77032  
832-467-9898  
FAX: 832-467-9897

### New Orleans Office

2808 Engineers Road  
Belle Chasse, LA 70037  
504-393-1804  
FAX: 504-393-5166

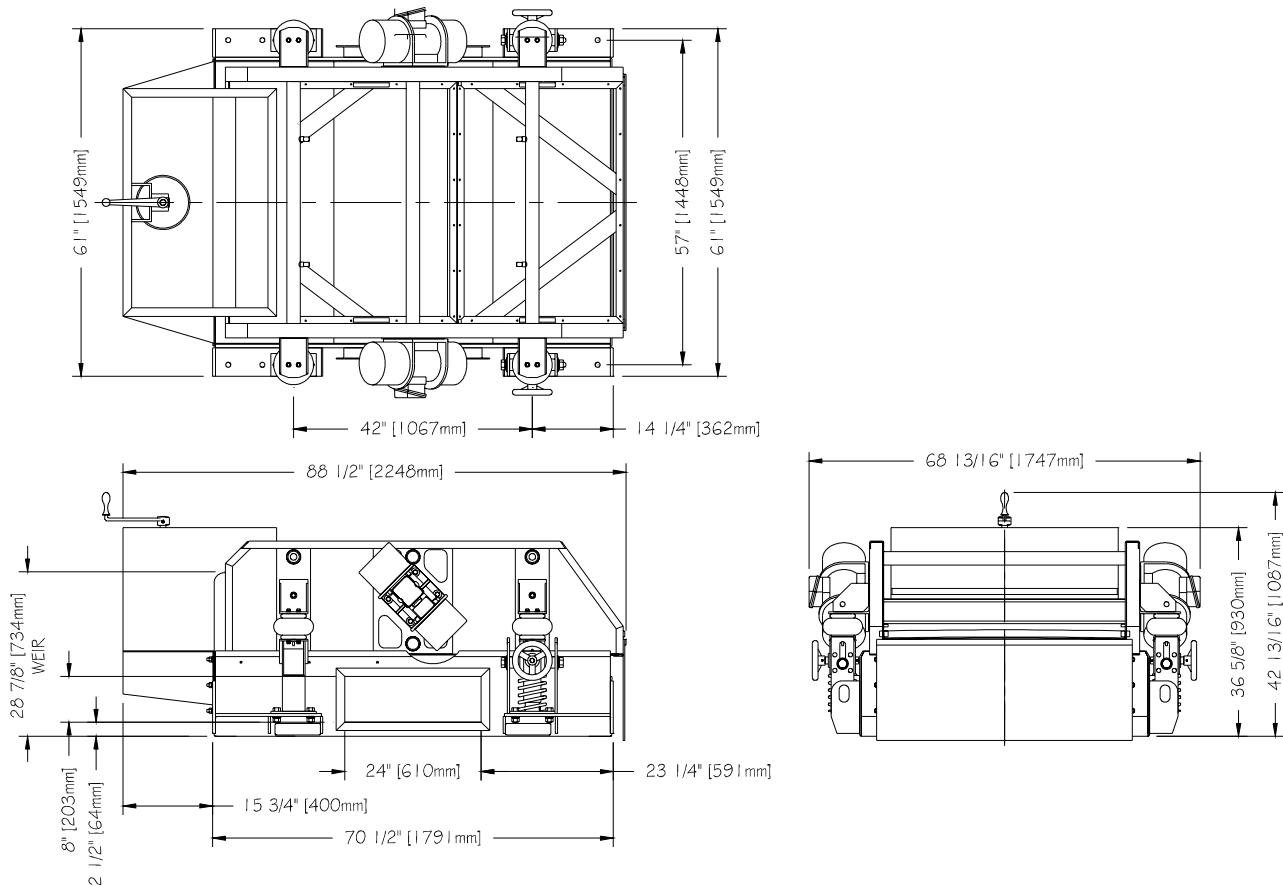
# Series 50 B

## Linear Power Shaker



### General Specifications

|                     |   |
|---------------------|---|
| Series:             | 50  |
| Model:              | B   |
| Motors:             | Two each 1800, 1500 or 1200 rpm<br>exp. proof or non-exp. proof available |
| Bearings:           | Permanently sealed and lubricated   |
| Motion:             | Linear; 0.13" A (1800), 0.156" A (1500),<br>0.23" A (1200), 5.0 "G"       |
| VGS:                | Force adjustable to 7.0 "G" maximum                                       |
| Deck adjustment:    | Adjustable 0° to 5° uphill  |
| Screens:            | Two each 29" x 42" pretensioned<br>panels with <i>Wedgelok</i> fasteners  |
| Screening area:     | 16.9 ft <sup>2</sup> [1.57 m <sup>2</sup> ]                               |
| Overall dimensions: | 88 1/2" L x 68 7/8" W x 42 7/8" H<br>2248mm x 1747mm x 1087mm             |



**Fluid Systems, Inc.**

**Screen Sales, Manufacturing & Engineering**

16619AldineWestfield Rd • Houston, TX 77032 • TEL 832-467-9898 • FAX 832-467-9897

**Sales & Service**

2808 Engineers Road • Belle Chasse, LA 70037 • TEL 504-393-1804 • FAX 504-393-5166

Sales@FluidSystems.com • Engineering@FluidSystems.com • Screens@FluidSystems.com • Service@FluidSystems.com