

# Series 5000B CD

## VGS™ Linear Cuttings Drier



### VGS Configuration Optional

High "G" force, high volume  
Introducing the 5000B CD, FSI's latest advance in high "G" force, high volume linear cuttings driers. FSI has designed this unit to achieve optimum performance, allowing you to recover up to 80% of the solids currently reporting to your reserve pit. The 5000B CD will recover silts and ultra-fine sands, provide solids in a consistently stackable and conveyable form and requires no expensive chemicals or polymers. Even in the most challenging applications, the 5000B CD achieves consistently high throughput. Processing rates vary with slurry content, percent solids and viscosity.

Lowest maintenance cost  
Simplicity pays off. FSI equipment have the lowest operational and maintenance costs in the industry. Routine maintenance is extremely minimal. Simple visual checks of screen panels, deck rubbers, isolators, and quarterly torque checks of the vibrator motor bolts are all that is required. Fluid Systems, Inc. keeps you on-line for decades of trouble free performance. It's that simple!



## The FSI Difference

- High "G" force
- 34 ft<sup>2</sup> screening area
- Simple design
- Rugged and reliable
- High performance
- Low maintenance
- Quick screen panel changes
- Small footprint
- No lubrication
- Low noise



[www.FluidSystems.com](http://www.FluidSystems.com)

### Houston Office

16619 Aldine Westfield  
Houston, TX 77032  
832-467-9898  
FAX: 832-467-9897

### New Orleans Office

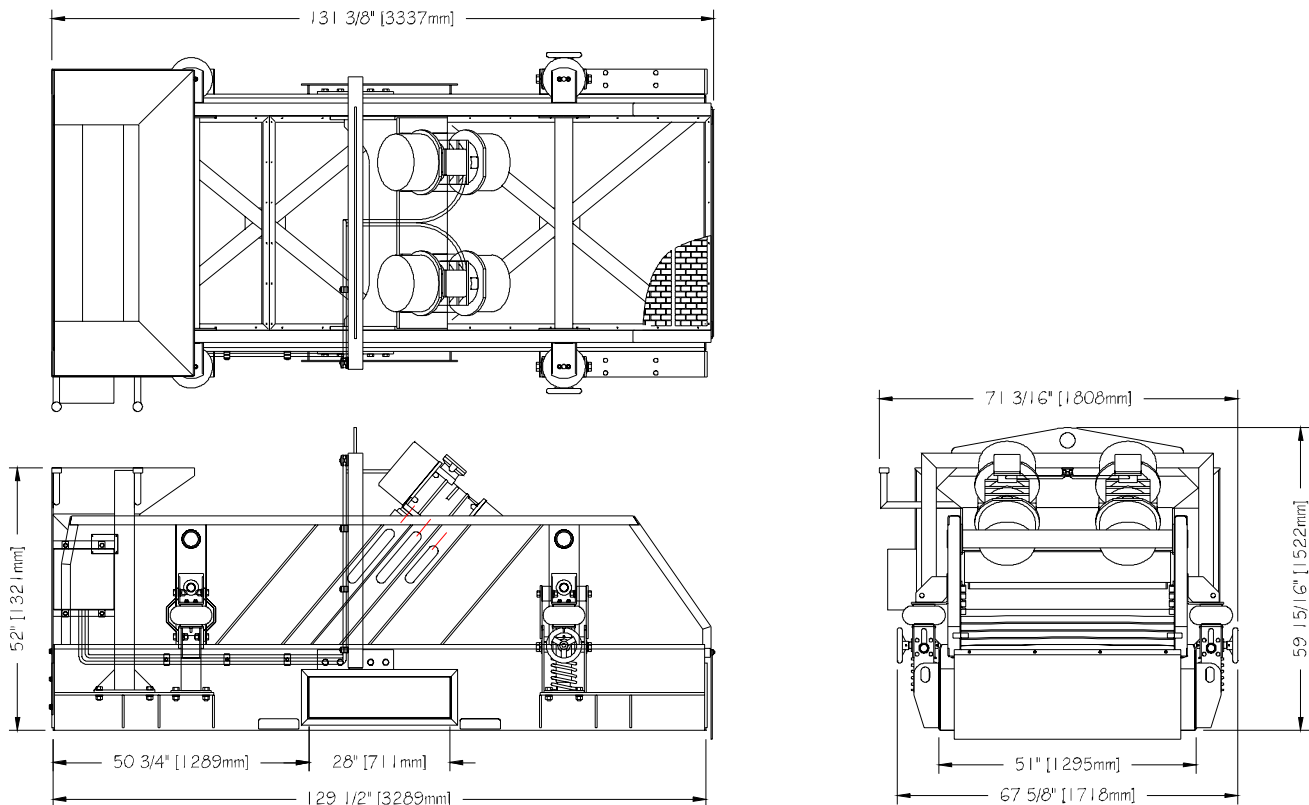
2808 Engineers Road  
Belle Chasse, LA 70037  
504-393-1804  
FAX: 504-393-5166

# Series 5000B CD VGS™ Linear Cuttings Drier



## General Specifications

Series:	5000
Model:	B4
Motors:	Two each 1800 rpm exp. proof or non-exp. proof available
Bearings:	Permanently sealed and lubricated
Motion:	Linear, 0.13" A, 4.5 "G", 20 Hz
VGS:	Force adjustable to 7.0 "G" maximum
Screens:	Four each 29" x 42" pretensioned panels with <i>Wedgelok™</i> fasteners
Screening area:	33.8 sq. ft. [3.14 sq. m.]
Overall dimensions:	129 1/2" L x 67 5/8" W x 52" H



Fluid Systems, Inc.

Screen Sales, Manufacturing & Engineering

16619 Aldine Westfield Rd • Houston, TX 77032 • TEL 832-467-9898 • FAX 832-467-9897

Sales & Service

2808 Engineers Road • Belle Chasse, LA 70037 • TEL 504-393-1804 • FAX 504-393-5166

Sales@FluidSystems.com • Engineering@FluidSystems.com • Screens@FluidSystems.com Service@FluidSystems.com